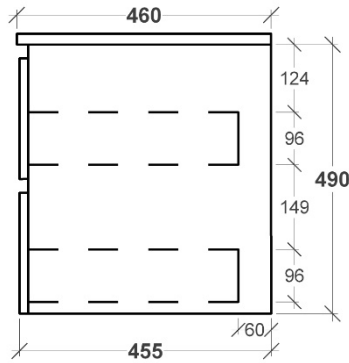


LEXINGTON VANITY SPECIFICATIONS

SIDE VIEW



FRONT VIEW

